

„Automatic Die Closing Unit“

Interesting (retrofitable) Option for all MI-3 and MI-4 Melt Index Test Devices

Before starting the feeding procedure the automatic die closing unit avoids the preterm flow out of the test material from the test barrel (especially for low viscous test materials recommended).

Only a compressed air connection with 5 to 8 bar is required.

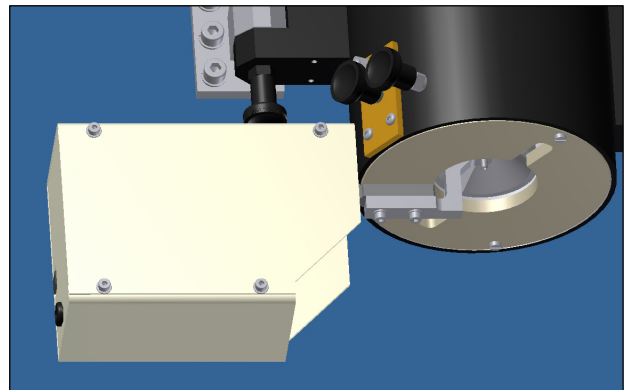
The automatic die closing unit is being activated by the Software in the test plan menue.
No mechanical handling is required.

A later tamping is not necessary due to a considerable higher compressibility.

After selecting the menue item „Measurement“ a dialog window appears, where the die closing unit can be activated.

At the relevant time the die closing unit opens automatically and the test material can flow out of the test barrel.

We are pleased to deliver more information, the true show as well as test measurements with your test sample in our accredited laboratory.



Contact:

GÖTTFERT Werkstoff-Prüfmaschinen GmbH

Siemensstraße 2
D-74722 Buchen

Telefon: +49 (0) 6281 / 408-0

Telefax: +49 (0) 6281 / 408-18

E-Mail: info@goettfert.de

Internet: www.goettfert.de